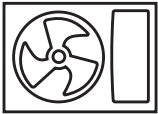
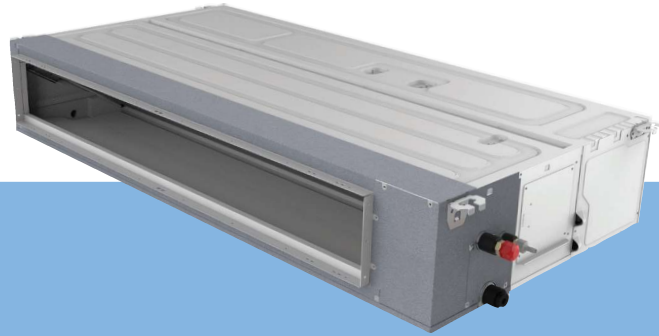
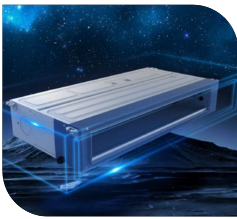


Free Match Indoor Units

Mid-Static Duct Type



Universal for:
 Single and Multi Split Systems



Ultra SlimDesign 245mm height.

Thanks to its exceptionally flat construction, AUX ducted units are well-suited for spaces with limited installation space. The low housing height of only 245 mm allows for unit installation even in low-ceiling spaces.



Discreet Installation

Efficient and discreet units, providing the greatest freedom in installation design. Thanks to their exceptionally flat housing construction, they are suitable even in low-ceiling spaces.



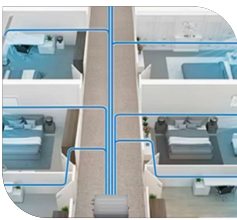
Low Noise Operation

The fan speed and the amount of supplied air are automatically adjusted to the length of the ventilation duct, so as to provide a constant air flow regardless of the length of the pipework, minimising unnecessary noise from static pressure.



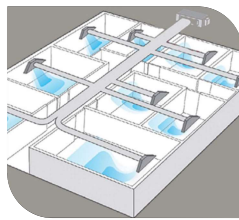
Built-In Drain Pump

The built-in drain pump can lift condensing water up to 1200mm high from the drainage pan.



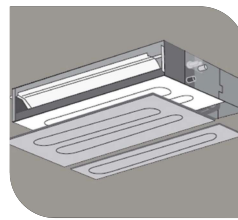
Adjustable ESP - 0 - 150 Pa

High adjustable static pressure up to 150Pa facilitates flexible ducts of varying lengths, making it suitable for a wide range of applications.



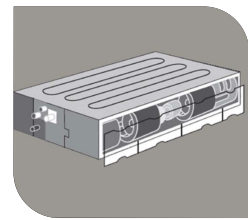
Automatic ESP Regulation

Automatic ESP adjustment function guarantees comfortable cooling and heating at all times, regardless of the length of the ducts.



Easy Maintenance Removable Panel

Simple structure ensuring that service and maintenance is carried out effectively & efficiently.



Easy Maintenance Filter Removal

Filter removal is easily removed without screws.

Mid-Static Duct Type

Specifications

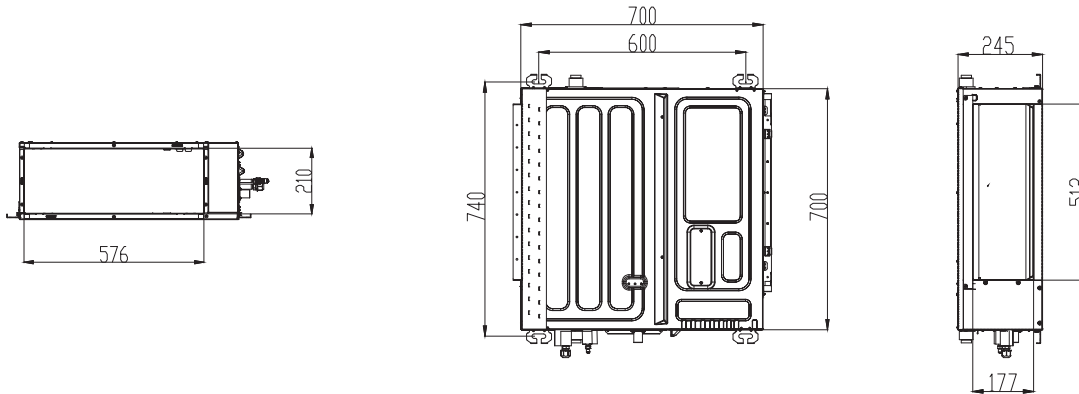
BMS
ConnectivityVoice
Activation
ModuleType L
Remote
Controller
OptionalXK-05
Wired
ControllerCentral
Control
OptionalWiFi
Control
Optional

Model			AUMD- H12/NDR3HM2	AUMD- H18/NDR3HM2	AUMD- H24/NDR3HM2	AUMD- H36/NDR3HC	AUMD- H48/SDR3HC
IDU Power Supply		V~,Hz,Ph	220-240/50&60/1	220-240/50&60/1	220-240/50&60/1	220-240/50&60/1	220-240/50&60/1
Capacity	Cooling	Btu/h	12000 (4600-15000)	18000 (5200-19100)	24000 (7400-28000)	36000 (9800-37500)	48000 (16241-56639)
		KW	3.52(1.35-4.40)	5.28(1.53-5.60)	7.03(2.16-8.20)	10.55(2.90~11.00)	14.00(4.76-16.60)
	Heating	Btu/h	13000 (4200-18100)	19100 (4800-21200)	27000 (6800-31700)	38000 (8800-39200)	55000 (16309-62781)
		KW	3.81(1.24-5.30)	5.60(1.40-6.20)	7.91(1.98-9.30)	11.15(2.60~11.50)	16.00(4.78-18.40)
Electric Data	Rated Cooling Power Input	kW	1.03(0.26~1.60)	1.55(0.47-2.30)	2.17(0.67-3.30)	3.50(0.71~4.20)	4.80(1.71-5.90)
	Rated Heating Power Input	kW	1.02(0.19~1.51)	1.49(0.46-2.25)	2.13(0.65-3.30)	3.00(0.47~3.70)	4.50(1.71-6.05)
	Rated Cooling Current	A	4.48(1.13~6.96)	6.73(2.04-10.00)	9.43(2.91-14.35)	15.80(3.20~19.50)	8.40(1.50-12.00)
	Rated Heating Current	A	4.43(0.83~6.57)	6.48(2.00-9.78)	9.26(2.83-14.35)	13.00(2.43~16.00)	8.00(1.50-12.00)
Performance	EER/COP	W/W	3.41/3.73	3.40/3.76	3.24/3.71	3.01/3.72	2.92/3.56
	SEER/SCOP	W/W	6.1/4.0	6.1/4.0	6.1/4.0	6.1/4.0	6.1/4.0
Indoor Fan Motor	Brand		wolong	wolong	dayang	weiling	weiling
	Output Power	W	120	120	200	300	300
	Speed (Hi/Mi/Lo)	r/min	980/880/800	1180/1050/930	1200/1065/960	1245/1170/1095	1425/1305/1200
Indoor Coil	Number Of Row		2.0	3.0	3.0	3.0	3.0
	Fin Material		Hydrop. Alum. Fin	Hydrop. Alum. Fin	Hydrop. Alum. Fin	Hydrop. Alum. Fin	Hydrop. Alum. fin
	Tube Outside Dia	mm	φ7 Inner grooved	φ7 Inner grooved	φ7 Inner grooved	φ7 Inner grooved	φ7 Inner grooved
Indoor Unit	IU Air Flow (Hi/Mi/Lo)	m ³ /h	720/600/500	900/750/630	1400/1190/980	2040/1800/1600	2300/2000/1700
		CFM	423/352/294	530/441/370	824/700/576	1200/1059/941	1353/1176/1000
	Noise Level (Hi/Mi/Lo)	dB(A)	37/34/32	44/41/37	43/41/39	44/42/41	52/45/43
	Sound Power Noise Level	dB(A)	52	54	55	55	64
	Net Dimension (W*D*H)	mm	700x700x245	700x700x245	1000x700x245	1400x700x245	1400x700x245
	Packing Dimension (W*D*H)	mm	930x830x300	930x830x300	1230x830x300	1630x830x300	1630x830x300
	Net Weight	Kg	21	22	32.0	38	38.0
	Gross Weight	Kg	25.0	26.0	38.0	44.5	44.5
	ESP	Pa	25(0~160)	25(0~160)	25(0~160)	37(0~160)	50(0~160)
Refrigerant Pipe	Liquid Side	mm	6.35(1/4)	6.35(1/4)	9.52(3/8)	9.52(3/8)	9.52(3/8)
	Gas Side	mm	12.7(1/2)	12.7(1/2)	15.88(5/8)	15.88(5/8)	15.88(5/8)
	Drainage	mm	R3/4in(DN25)	R3/4in(DN25)	R3/4in(DN20)	R3/4in(DN20)	R3/4in(DN20)
Wired Controller			XK05-DY	XK05-DY	XK05-DY	XK05-DY	XK05-DY

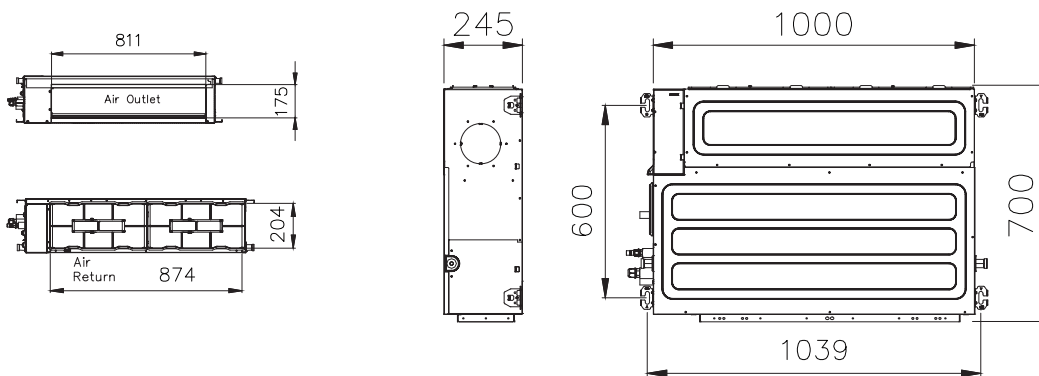
Mid-Static Duct Type

Dimensions

12K, 18K AUX-MD-12CAC/I, AUX-MD-18CAC/I



24K AUX-CF-24CAC/I



36K, 48K AUX-CF-36CAC/I, AUX-CF-48CAC/I

