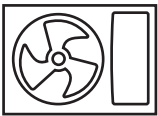


Free Match Indoor Units

Cassette Roundflow



Universal for:
 Single and Multi Split Systems



360 Degree Airflow

The AUX cassette AC's panel design ensures uniform cooling. Corner outlets distribute air evenly, eliminating temperature variations. Perimeter airflow cools large spaces efficiently with 360° circulation.



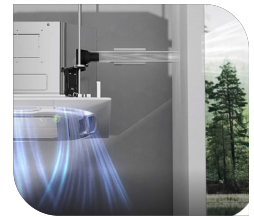
Modern Design of Unit

Efficient, versatile units that, thanks to their compact dimensions and flexible installation options, will work perfectly in both commercial and residential spaces providing a high level of comfort in every corner of the a room.



Long Distance Airflow

The Cassette has added static pressure for long airflow delivery and is capable of being used in spaces up to 4m in floor height.



Fresh Air Intake

The cassette unit accepts a fresh air inlet allowing it to draw fresh air from outside, for improved comfort and health.



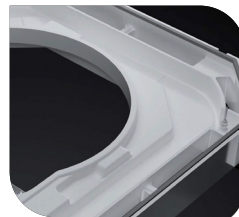
Built-in Drain Pump

The built-in drain pump can lift condensing water up to 1200mm high from the drainage pan.



Easy Maintenance

Easy removal of fan cover, fan axel and the fan motor for cleaning and maintenance of essential equipment



Upgraded Water Pan

The cassette-type water pan has been enhanced with a 1.5mm thick plastic construction, featuring anticollision, anti-leakage properties and increased water storage capacity by 30% for improved durability and reliability.



Enhanced Structural Bionic Design

The chassis incorporates an enhanced structural bionic design, significantly diminishing self-vibration and achieving a noise reduction of 15%.

Cassette Roundflow

Specifications

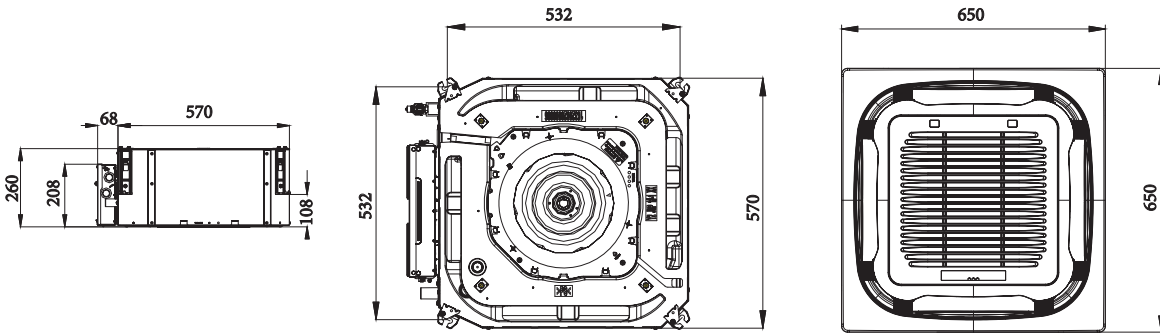
BMS
ConnectivityVoice
Activation
ModuleType L
Remote
ControllerXK-05 Wired
Controller
OptionalCentral
Control
OptionalWiFi
Control
Optional

Model			AUCA- H12/4DR3HYAA	AUCA- H18/4DR3HYAA	AUCA- H24/4DR3HYAA	AUCA- H36/NDR3HYCB	AUCA- H48/SDR3HYCB
IDU Power Supply		V~,Hz,Ph	220-240/50&60/1	220-240/50&60/1	220-240/50&60/1	220-240/50&60/1	220-240/50&60/1
Capacity	Cooling	Btu/h	12000 (4600-15000)	18000 (5200-19100)	24000 (7400-28000)	36000 (9800-39200)	48000 (16241-49474)
		KW	3.52(1.35-4.40)	5.28(1.53-5.60)	7.03(2.16-8.20)	10.55(2.90~11.50)	14.00(4.76-14.5)
	Heating	Btu/h	13000 (4200-18100)	19100 (4800-21200)	27300 (6800-31700)	38000 (8800-40900)	55000 (16309-59028)
		KW	3.81(1.24-5.30)	5.60(1.40-6.20)	7.91(1.98-9.30)	11.15(2.60~12.00)	16.00(4.78-17.3)
Electric Data	Rated Cooling Power Input	KW	1.03(0.26~1.60)	1.55(0.47~2.30)	2.10(0.67-3.30)	3.30(0.71~4.20)	4.65 (1.71-5.90)
	Rated Heating Power Input	KW	1.02(0.19~1.51)	1.51(0.46~2.25)	2.13(0.65-3.30)	3.00(0.47~3.70)	4.58 (1.71-6.05)
	Rated Cooling Current	A	4.48(1.13~6.96)	6.74(2.04~10.00)	9.13 (2.91-14.35)	14.50(3.20~19.50)	8.10 (1.50-12.00)
	Rated Heating Current	A	4.43(0.83~6.57)	6.57(2.00~9.78)	9.26 (2.83-14.35)	13.00(2.43~16.00)	8.00 (1.50-12.00)
Performance	EER/COP	W/W	3.41/3.73	3.41/3.71	3.35/3.71	3.20/3.72	3.01/3.49
	SEER/SCOP	W/W	6.1/4.0	6.1/4.0	6.1/4.0	6.1/4.0	6.1/4.0
Indoor Fan Motor	Brand		Panasonic	Panasonic	Panasonic	Panasonic	Panasonic
	Speed (Hi/Mi/Lo)	r/min	720/660/530	840/720/660	580/530/470	750/700/ 650	750/700/ 650
Indoor Coil	Number Of Row		2.0	2.0	2.0	3.0	3.0
	Fin Material		Hydrop. Alum. Fin	Hydrop. Alum. Fin	Hydrop. Alum. Fin	Hydrop. Alum. Fin	Hydrop. Alum. Fin
	Tube Outside Dia	mm	φ7,Inner grooved	φ7,Inner grooved	φ7,Inner grooved	φ7,Inner grooved	φ7,Inner grooved
Indoor Unit	IU Air Flow (Hi/Mi/Lo)	m ³ /h	700/620/530	760/650/580	1500/1350/1200	2000/1700/1600	2000/1700/1600
		CFM	412/365/312	447/382/341	882/794/706	1176/1000/941	1176/1000/941
	Noise Level (Hi/Mi/Lo)	dB(A)	42/38/35	44/41/38	46.5/45/43	52/50/48	51/49/47
	Sound Power Noise Level	dB(A)	52	56	56	62	62
	Net Dimension (W*D*H)	mm	570×570×260	570×570×260	840×840×246	840×840×288	840×840×288
	Packing Dimension (W*D*H)	mm	720×650×290	720×650×290	910×910×310	910×910×350	910×910×350
	Net Weight	Kg	16	16	26.0	29	29.5
	Gross Weight	Kg	18.0	18.0	30.0	33.0	33.5
Panel	Net Dimension (W*D*H)	mm	650×650×55	650×650×55	950×950×55	950×950×55	950×950×55
	Packing Dimension (W*D*H)	mm	710×710×80	710×710×80	1000×1000×100	1000×1000×100	1000×1000×100
	Net weight	Kg	2.20	2.20	5.30	5.30	5.30
	Gross weight	Kg	3.70	3.70	7.80	7.80	7.80
Refrigerant Pipe	Liquid Side	mm	6.35(1/4)	6.35(1/4)	9.52(3/8)	9.52(3/8)	9.52(3/8)
	Gas Side	mm	12.7(1/2)	12.7(1/2)	15.88(5/8)	15.88(5/8)	15.88(5/8)
	Drainage	mm	R3/4in(DN20)	R3/4in(DN20)	R3/4in(DN20)	R3/4in(DN20)	R3/4in(DN20)
Remote Controller			YKR-L/300-HYE	YKR-L/300-HYE	YKR-L/300-HYE	YKR-L/300-HYE	YKR-L/300-HYE

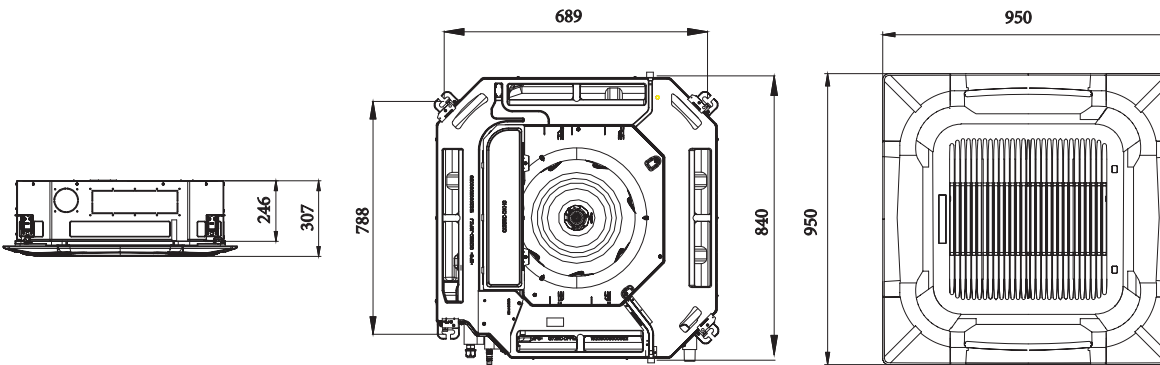
Cassette Roundflow

Dimensions

12K, 18K AUX-C-12CAC/I, AUX-C-18CAC/I



24K AUX-C-24CAC/I



36K, 48K AUX-C-36CAC/I, AUX-C-48CAC/I

