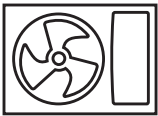


Residential Series

JSmart Series



Universal for:
Single Split System



High Performance Compressor

AUX partners with top compressor manufacturers globally to integrate high-quality components, such as inverter compressors, into its air conditioners, ensuring dependable performance and energy efficiency.



Precise Inverter Control Algorithm

Designed at a Japanese research and development centre with a total budget exceeding 120 million yen, the microchip is developed using 40-nanometre technology with a computational power of 240 DMPIS.



Wide Temperature Operating Range

The JSmart series maintains stable operation in extreme temperatures, with reliable performance from -22°C in heating mode to +52°C in cooling mode, ensuring year-round comfort.



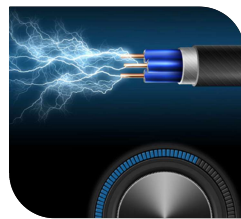
Made from the toughest ABS Plastics

The J-Smart series indoor units feature durable construction with a robust casing, capable of enduring 15% more pressure force than other units, enhancing durability and reliability.



Unique Design

Meticulously integrated casing components and a refined matte finish contribute to the unit's cohesive and visually appealing look. The subtle silver profile positioned above the air louver serves as the sole decorative accent.



Intelligent Power Mode

Users can set power limits from 100% to 30%, saving up to 70% electricity. The app allows specifying desired power consumption and mode, with smart algorithms adjusting cooling output.



Ultra Silent Operation

The JSmart Series ensures a tranquil sleep with a low noise level of 20 dB, akin to whispers or rustling leaves.



Control from Anywhere

The AC Freedom app enables Wi-Fi control of multiple air conditioners, saving individual settings for mode, temperature, and fan speed, with a user-friendly interface for easy operation.

Specifications

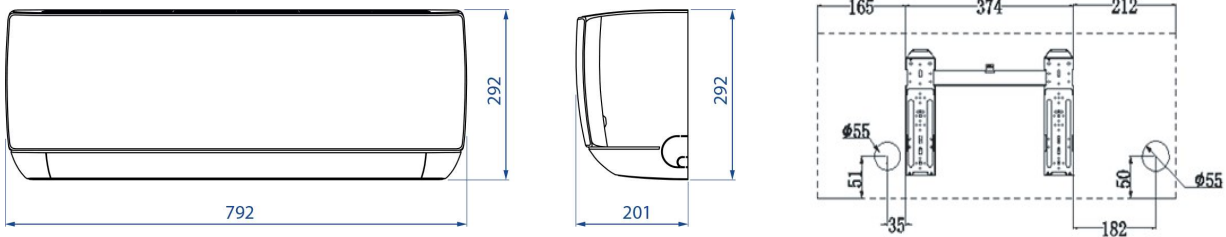
Voice
Activation
ModuleType L
Remote
ControllerWiFi
Control

Size			09K	12K	18K	24K
Model			ASW-H09B5A4/ JAR3DI-EU	ASW-H12C5D4/ JAR3DI-EU	ASW-H18E3G4/ JAR3DI-EU	ASW-H24F7A4/ JAR3DI-EU
Rated Capacity	Cooling	kW	2.7(0.6-3.8)	3.5(0.8-4.1)	5.3(1.3-5.9)	7.2(1.8-7.4)
	Heating	kW	3.0(0.8-4.2)	3.8(1.0-4.2)	5.6(1.3-6.0)	7.2(1.8-8.0)
	Dehumidifying	Kg/h	1	1	1.6	2.5
Rated Power Consumption	Cooling	kW	0.8(0.1-1.6)	1.18(0.1-1.6)	1.58(0.29-2.1)	2.2(0.23-2.76)
	Heating	kW	0.85(0.3-1.6)	1.10(0.3-1.6)	1.51(0.25-1.8)	2.2(0.23-2.53)
Rated Running Current	Cooling	A	3.8(0.7-7.8)	5.6(0.7-7.8)	7.5(2.2-9.3)	10(1.0-12)
	Heating	A	4.1(1.5-8.0)	4.9(1.5-8.0)	6.82(2.0-8.0)	9.5(1.0-11)
Max. Input Power		kW	1.9	1.9	2.4	3.4
Max. Input Current		A	9.5	9.5	12	16
Pdesign-cooling (kW)		/	2.7	3.5	5.3	6.7
Pdesign-heating (kW)-warmer		/	2.3	3.4	4.3	7.0
Annual power consumption-cooling (kwh/a)		/	146	201	273	359
Annual power consumption-heating (kwh/a) -warmer		/	620	934	1158	1859
SEER		/	6.5	6.1	6.53	6.5
ENERGY LEVEL		/	A++	A++	A++	A++
SCOP		/	5.2	5.1	5.2	5.2
ENERGY LEVEL		/	A+++	A+++	A+++	A+++
Power supply source		V/Ph/Hz	220-240V-1-50Hz	220-240V-1-50Hz	220-240V-1-50Hz	220-240V-1-50
Refrigerant		/	R32	R32	R32	R32
Refrigerant Charged		g	560	560	1030	1300
Air Flow Volume		m3/h	600	600	850	1300
Noise level IDU		dB (A)	54	53	57	63
Noise level ODU		dB (A)	61	62	62	66
Indoor unit weight (Net)		Kg	8	8.5	11.5	14
Outdoor unit weight (Net)		Kg	22.5	22.5	28	49
IDU Fan motor	Rated Output Power	W	18	18	30	50
Compressor type		/	rotary	rotary	rotary	rotary
Compressor Brand		/	GMCC	GMCC	GMCC	SANYO
ODU Fan motor	Rated Power	W	35	35	40	65
IDU Net Dimension (WxDxH)		mm	792*292*201	792*292*201	940*316*224	1132*330*232
IDU Packing Dimension (WxDxH)		mm	888*370*290	888*370*290	1010*385*310	1205*400*317
ODU Net Dimension (WxDxH)		mm	705*279*530	705*279*530	785*300*555	900*700*350
ODU Packing Dimension (WxDxH)		mm	825*345*595	825*345*595	888*367*590	1020*770*430

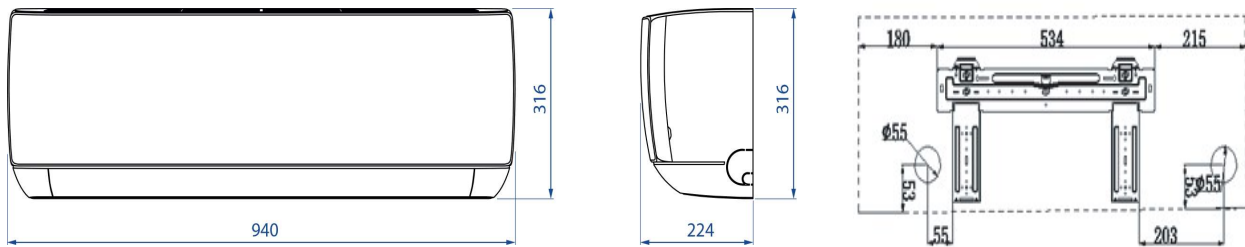
JSmart Series

Indoor Dimensions

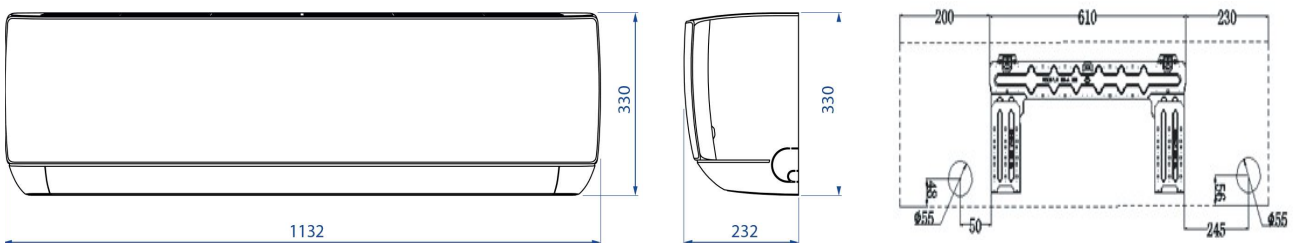
9K, 12K AUX-RAC-09Jsmart/I, AUX-RAC-12Jsmart/I



18K AUX-RAC-18Jsmart/I



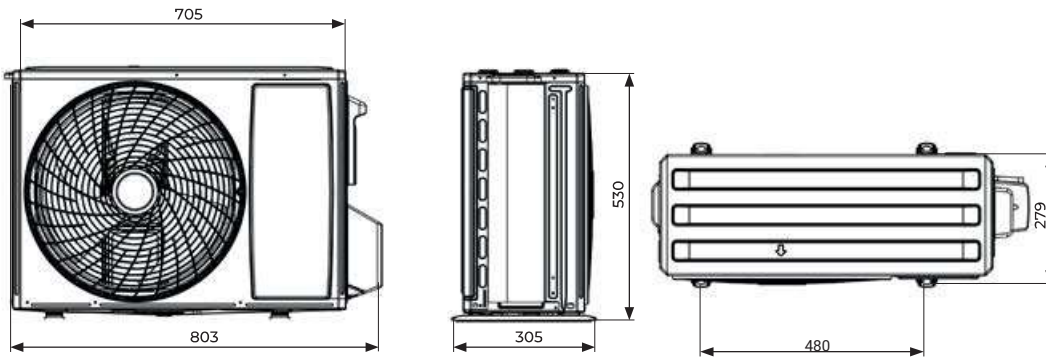
24K AUX-RAC-24Jsmart/I



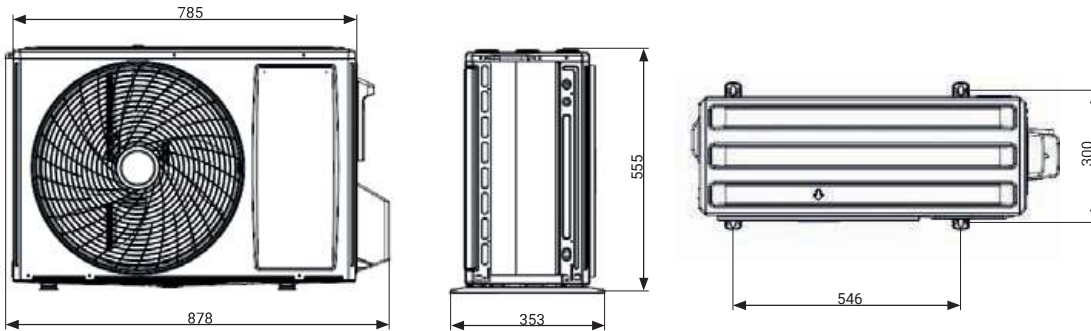
JSmart Series

Outdoor Dimensions

9K, 12K AUX-RAC-09Jsmart/O, AUX-RAC-12Jsmart/O



18K AUX-RAC-18Jsmart/O



24 K AUX-RAC-24Jsmart/O

