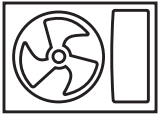


Residential Series

Q Series



Universal for:
Single Split System



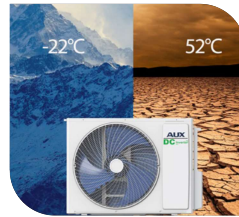
High Performance Compressor

AUX partners with top compressor manufacturers globally to integrate high-quality components, such as inverter compressors, into its air conditioners, ensuring dependable performance and energy efficiency.



Precise Inverter Control Algorithm

Designed at a Japanese research and development centre with a total budget exceeding 120 million yen, the microchip is developed using 40-nanometre technology with a computational power of 240 DMPIS.



Wide Temperature Operating Range

The Freedom series maintains stable operation in extreme temperatures, with reliable performance from -22°C in heating mode to +52°C in cooling mode, ensuring year-round comfort.



Quick Cooling & Heating

The system boasts quick cooling and heating capabilities, achieving a rapid cooling time of just 30 seconds and heating in only 60 seconds, ensuring prompt comfort adjustment for optimal temperature control.



4D Airflow

The 4-way swing feature allows that the louvers to move both horizontally and vertically, allowing users to adjust the direction of the airflow as needed to suit their preferences.



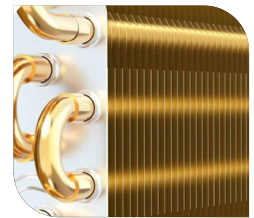
Auto Clean Function

With its self-cleaning function, the air conditioner alternates between cooling and heating modes at low fan speeds to collect dust on heat exchanger fins, dry the interior, and expel moist air, effectively preventing bacterial and mold growth to maintain a clean and safe environment.



Easy PCB Removal

The air conditioner's easy PCB removal simplifies maintenance tasks, ensuring efficient servicing with minimal hassle.



Golden Fin on Indoor & Outdoor Condenser.

3 times higher corrosion resistance compare to conventional heat exchangers. The golden coating protects the surface of the heat exchanger from unnecessary wear and corrosion while ensuring high efficiency operation.

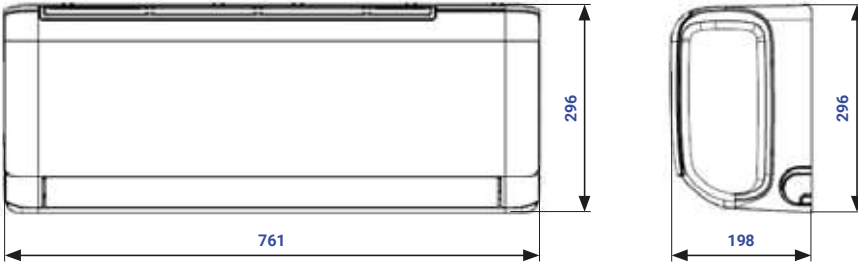
Voice
Activation
ModuleType L
Remote
ControllerWiFi
Control

Size			9K	12K	18K	24K
Model			ASW-H09B6B4/ QCR3DI-EU	ASW-H12C5B4/ QCR3DI-EU	ASW-H18E3A4/ QCR3DI-EU	ASW-H24F7A4/ QCR3DI-EU
Rated Capacity	Cooling	kW	2.6(0.6-3.1)	3.5(0.8-4.1)	5.1(1.3-5.3)	7.2(1.8-7.4)
	Heating	kW	2.6(1.0-3.4)	3.8(1.0-4.2)	5.4(1.3-5.5)	7.2(1.8-8.0)
	Dehumidifying	Kg/h	0.6	1	1,6	3
Rated Power Consumption	Cooling	kW	0.85(0.1-1.6)	1.18(0.1-1.6)	1.52(0.28-1.70)	2.2(0.23-2.76)
	Heating	kW	0.63(0.3-1.5)	1.10(0.3-1.6)	1.40(0.22-1.50)	2.2(0.23-2.53)
Rated Running Current	Cooling	A	3.9(0.9-6.9)	5.6(0.7-7.8)	7.0(1.2-7.5)	10(1.0-12)
	Heating	A	3.0(1.3-6.9)	4.9(1.5-8.0)	6.0(1.0-6.6)	9.5(1.0-11)
Max. Input Power		kW	1.6	1.9	1.9	3.4
Max. Input Current		A	9.5	9.5	9	16
Pdesign-cooling (kW)		/	2.7	3.4	5.1	6.7
Pdesign-heating (kW)-warmer		/	2.3	3.1	3.6	7
Annual power consumption-cooling (kwh/a)		/	146	192	265	359
Annual power consumption-heating (kwh/a) -warmer		/	801	851	937	1950
SEER		/	6.5	6.2	6.7	5.27
ENERGY LEVEL		/	A++	A++	A++	A++
SCOP		/	5.2	5.1	5.3	5.31
ENERGY LEVEL		/	A+++	A+++	A+++	A+++
Power supply source		V/Ph/Hz	220V~/50Hz	220-240V-1-50Hz	220-240V-1-50Hz	220-240V-1-50
Refrigerant		/	R32	R32	R32	R32
Refrigerant Charged		g	550	560	800	1300
Air Flow Volume		m3/h	600	600	850	1300
Noise level IDU		dB (A)	53	53	57	63
Noise level ODU		dB (A)	61	62	62	66
Indoor unit weight (Net)		Kg	8.5	8.5	11	14
Outdoor unit weight (Net)		Kg	18	22.5	25	49
IDU Fan motor	Rated Output Power	W	18	18	30	50
Compressor type		/	rotary	rotary	rotary	rotary
Compressor Brand		/	GMCC	GMCC	GMCC	SANYO
ODU Fan motor	Rated Power	W	38	35	35	65
IDU Net Dimension (WxDxH)		mm	708*281*192	761*295*200	960*315*222	1090*328*227
IDU Packing Dimension (WxDxH)		mm	765*351*269	825*367*277	1020*375*305	1155*397*312
ODU Net Dimension (WxDxH)		mm	705*279*530	705*279*530	715*280*537	900*700*350
ODU Packing Dimension (WxDxH)		mm	760*315*510	825*345*595	825*345*595	1020*770*430

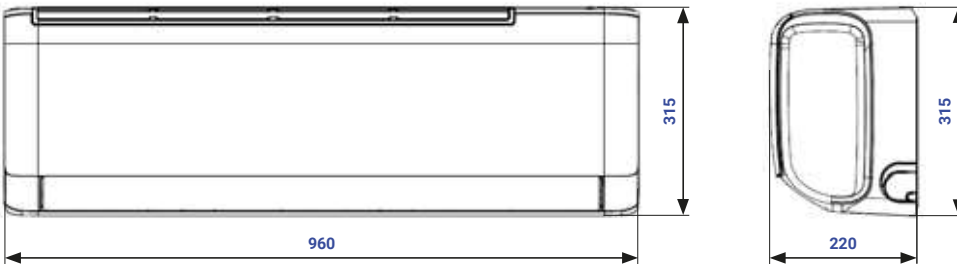
Q Series

Indoor Dimensions

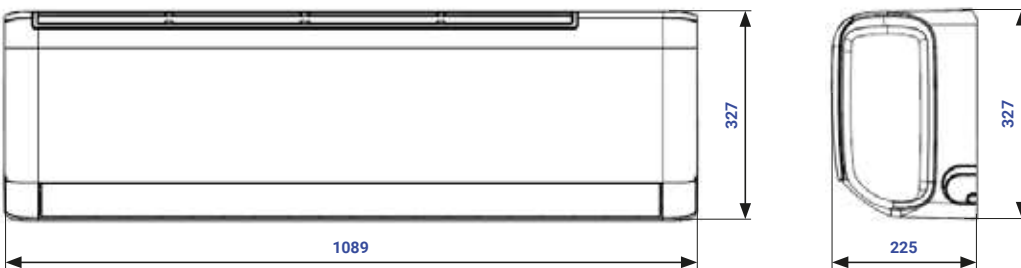
9K, 12 K AUX-RAC-09Q, AUX-RAC-12Q/I



18K AUX-RAC-18Q/I



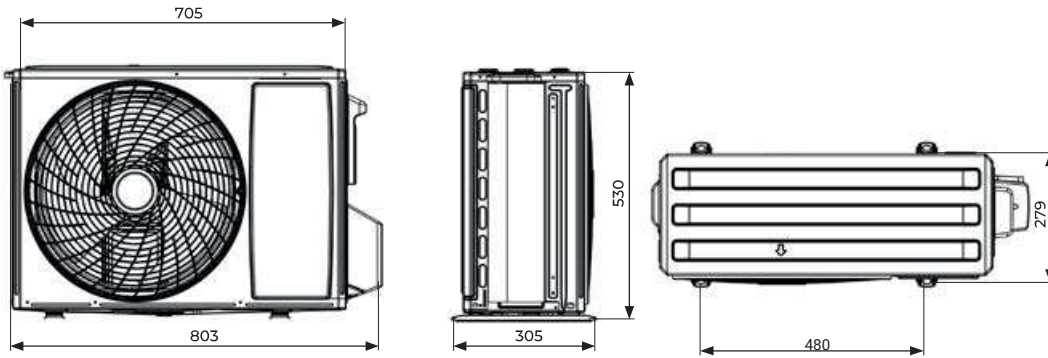
24K AUX-RAC-24Q/I



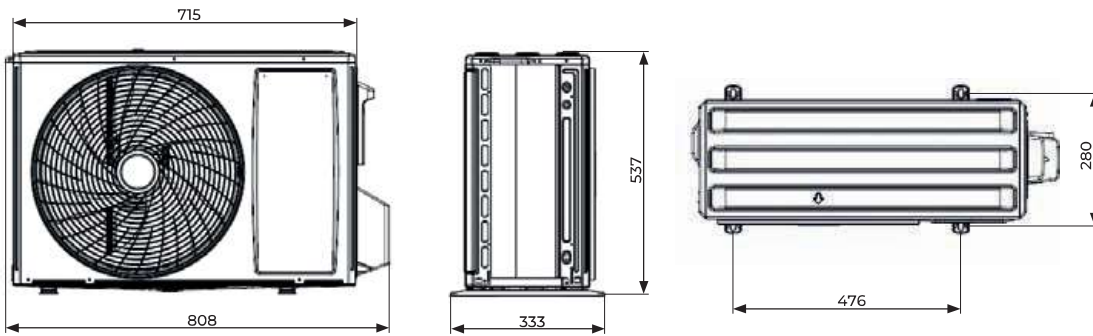
Q Series

Outdoor Dimensions

9K, 12K AUX-RAC-09Q/O, AUX-RAC-12Q/O



18K AUX-RAC-18Q/O



24 K AUX-RAC-24Q/O

