

# O16

## Single pressure controllers



### Applications

O16 instruments are single mechanical pressure switches for high and low pressure, equipped with a single pole switch SPDT that closes and opens as the pressure increases or decreases.

### Common features

SPDT single pole switch electrical rating:  
Ambient operating / storage temperature:  
Connection to pressure line:  
Cable entry:  
Refrigerant:  
Installation:  
Regulation:  
Terminals:  
Casing enclosure rating:

### O16 pressure

16 (16) A 250V~ normally open or normally closed  
1 (1) A 250V~ opposite side.  
-30°C...+55°C / -40°C...+65°C  
7/16" - 20 UNF straight male output connector,  
1/4 flared female connector  
14mm insulating bushing  
Equipment suitable for use with the most common gases  
two threaded holes in the back of the casing to accept M4x6mm screws (supplied)  
by means of crosshead recessed hex nut for both the set and the differential.  
An adjustable knob is also available, as standard with certain models.  
1 common; 2 opens when the pressure increases; 4 closes when the pressure increases.  
IP44 (with top cover installed)

### Operating and safety pressures

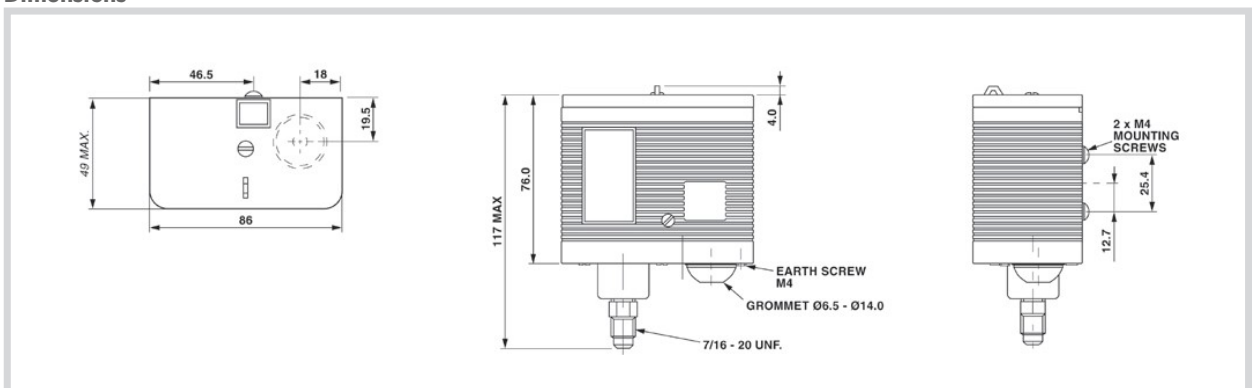
Bellows type	Maximum stationary pressure (bar)	Burst Pressure (bar)
Low Pressure	20	80
High Pressure	35	128
TÜV	35	80 (safety)

Part number	High or Low	Reset	Measurement range PSI (bar)	Differential PSI (bar)	Type of bellows	Connection
<b>O16-H6703</b>	low	automatic	10"...100 (-0.3...7)	9...58 (0.6...4)	standard	7/16" - 20 UNF male
<b>O16-H6704</b>	low	automatic	10"...100 (-0.3...7)	9...58 (0.6...4)	standard	braze welded tube diam. 6 mm L.100 mm
<b>O16-H6713</b>	low	automatic	10"...100 (-0.3...7)	9...58 (0.6...4)	standard	1000 mm capillary with 1/4" SAE nut
<b>O16-H6705</b>	low	manual	10"...100 (-0.3...7)	9 (0.6)	standard	7/16" - 20 UNF male
<b>O16-H6750</b>	high	automatic	100...435 (7...30)	35...115 (2...8)	standard	7/16" - 20 UNF male
<b>O16-H6763</b>	high	automatic	100...435 (7...30)	35...115 (2...8)	TÜV	braze welded tube diam. 6 mm L.100 mm
<b>O16-H6751</b>	high	manual	100...435 (7...30)	45 (3.2)	standard	7/16" - 20 UNF male
<b>O16-H6758</b>	high	automatic	100...435 (7...30)	42...115 (3...8)	TÜV	7/16" - 20 UNF male
<b>O16-H6759</b>	high	manual*	100...435 (7...30)	45 (3.2)	TÜV	7/16" - 20 UNF male
<b>O16-H6764</b>	high	manual	100...435 (7...30)	45 (3.2)	TÜV	braze welded tube diam. 6 mm L.100 mm
<b>O16-H6760</b>	high	manual**	100...435 (7...30)	45 (3.2)	TÜV	7/16" - 20 UNF male
<b>O16-H6765</b>	high	manual	100...435 (7...30)	45 (3.2)	TÜV	braze welded tube diam. 6 mm L.100 mm

\* reset without removing cover

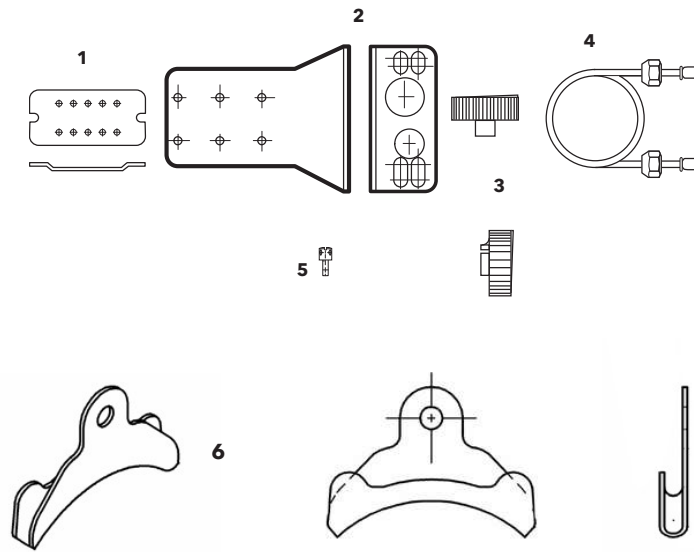
\*\* reset with removal of cover

### Dimensions



## Accessories for O series controllers

### Accessories for O series controllers



Part number	Description	Notes
<b>00048129003</b> (1)	Flat mounting bracket	-
<b>00031696001</b> (2)	Angle mounting bracket	-
<b>03200115001</b> (3)	Knob	-
<b>06309138001</b> (4)	1000 mm capillary with 7/16" fittings, without valve opener	-
<b>06309138002</b> (4)	1500 mm capillary with 7/16" fittings, without valve opener	-
<b>00450199004</b> (5)	Screw with clearance hole	-
<b>06223029001</b> (6)	clip for temperature capillary	only O16 temperature
<b>06223029006</b> (6)	clip for temperature capillary- KIT 6pcs	only O16 temperature