



**CGC** is our cubic unit cooler range for installations that use CO<sub>2</sub> refrigerant. Its shape and size suits many types of cold rooms, especially those used for the preservation of fresh and frozen products. The units of this range are particularly compact and this enables to make good use of the cold room space in which they are installed.

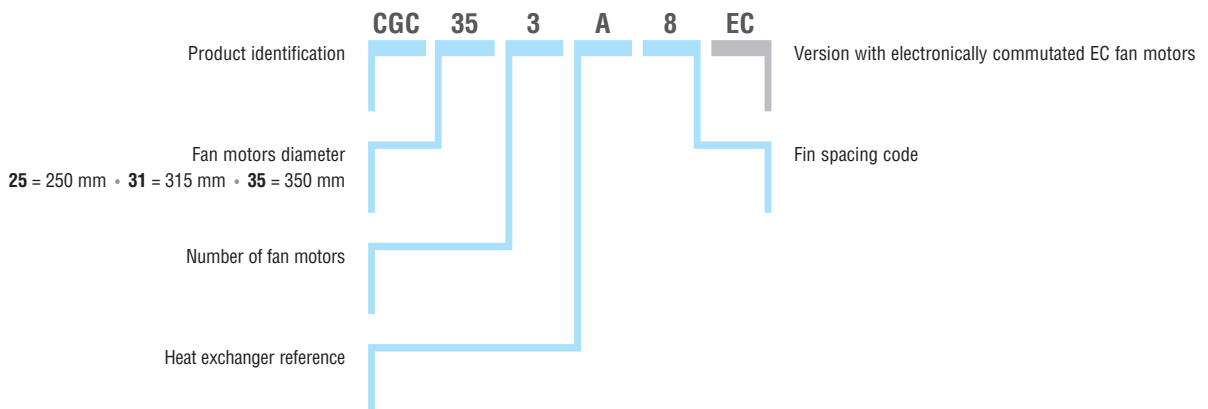
This new range is equipped with highly efficient coils made from aluminum fins and special copper tubes.

The maximum allowable exercise pressure is 80 bars.

According to the room temperature the range is divided as follows:

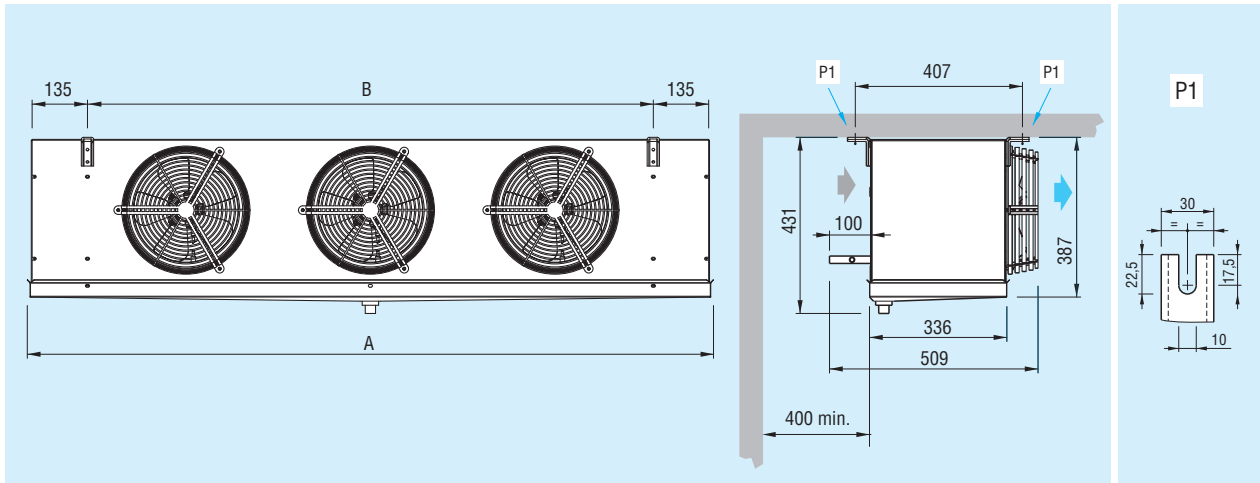
- **CGC G4 E4 F4 A4** for high temperatures ( $\geq +2$  °C), with 4,0 mm fin spacing;
- **CGC G6 E6 F6 A6** or medium temperatures ( $\geq -15$  °C), with 6,0 mm fin spacing;
- **CGC G8 E8 F8 A8** for low temperatures ( $\geq -35$  °C), with 8,0 mm fin spacing, equipped with electric defrost (ED).

## CGC - Model identification



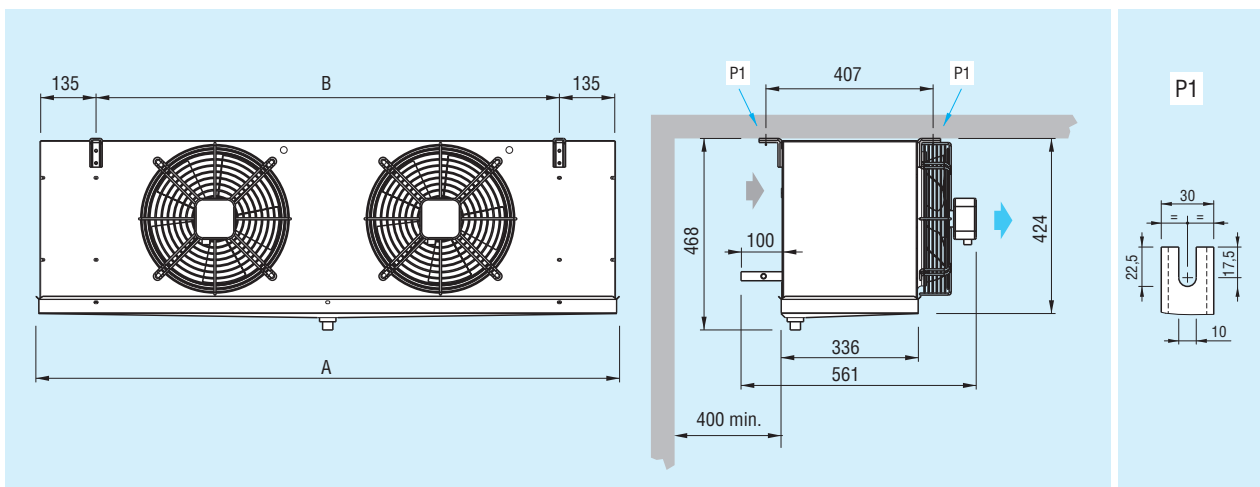
Dimensional features

CGC Ø 250 mm



Model	CGC Ø 250	251 R	251	252	253	254	
Dimensions	mm	A	674	774	1224	1674	2124
		B	380	480	930	1380	1830

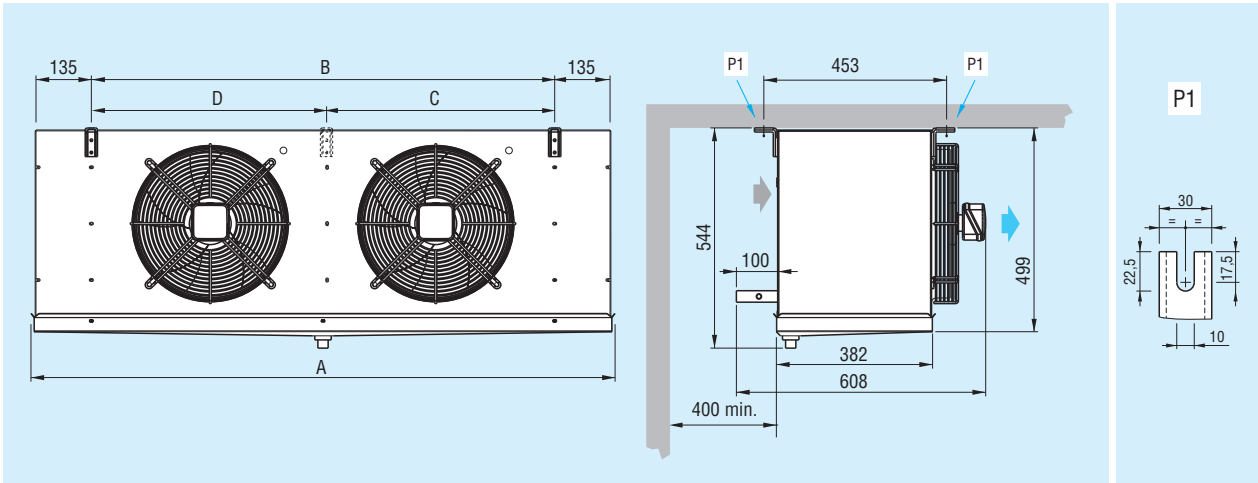
CGC Ø 315 mm



Model	CGC Ø 315	311	312	313	314	
Dimensions	mm	A	874	1424	1974	2524
		B	580	1130	1680	2230

Dimensional features

CGC Ø 350 mm



Model	CGC Ø 350	351	352	353	354	355	
Dimensions	mm	A	875	1425	1975	2525	3075
		B	580	1130	1680	2230	2780
		C	-	-	-	1115	1665
		D	-	-	-	1115	1115

This range employs three types of standard fan motors:

- **A)** 250 mm diameter, shaded pole single-phase 230V/1/50-60Hz with fiberglass charged polyamide fan guards.
- **B)** 315 mm diameter, external rotor single-phase 230V/1/50-60Hz with built-in electric capacitor and epoxy coated steel fan guard.
- **C)** 350 mm diameter, external rotor single-phase 230V/1/50-60Hz with built-in electric capacitor and epoxy coated steel fan guard.

The electric defrost (ED) versions are equipped with stainless steel heaters with vulcanised terminals preset for 230V/1/50-60Hz (Ø 250 mm) and 400V/3/50-60Hz (Ø 315-350 mm) connections.

The electric parts and casework are connected to an earth terminal, the wiring of the motors and the heaters is carried out in separate IP 54 protection grade junction boxes.

On request the models can be equipped with non-standard: coils, defrosting and fan motors.

For units with different conditions use the “**Scelte**” selection program.

For special applications and further information contact our Technical Dept.

Technical data

Model	CGC	251 E4R	251 E4	252 G4	252 E4	253 G4	253 E4	254 G4
Nominal capacity	kW	1,5	1,8	3,1	3,7	4,8	5,4	6,1
Air flow	m³/h	708	768	1626	1536	2440	2305	3250
Air throw	m	8	8	9	8	11	10	13
Air throw with streamers	m	-	-	-	-	-	-	-
Fin spacing	mm	4	4	4	4	4	4	4
Internal surface	m²	0,36	0,46	0,69	0,92	1,03	1,38	1,38
External surface	m²	7,56	9,7	14,6	19,4	21,9	29,1	29,2
Coil connections	In tube (mm)	12	12	12	12	12	12	12
	Out tube (mm)	12	12	12	12	12	12	12
Net weight	kg	14	16	24	26	33	36	42

Model	CGC	251 E6R	251 E6	252 G6	252 E6	253 G6	253 E6	254 G6
Nominal capacity	kW	1,1	1,3	2,2	2,7	3,4	4,0	4,7
Air flow	m³/h	753	813	1695	1626	2540	2430	3390
Air throw	m	9	9	10	9	12	11	14
Air throw with streamers	m	-	-	-	-	-	-	-
Fin spacing	mm	6	6	6	6	6	6	6
Internal surface	m²	0,36	0,46	0,69	0,92	1,03	1,38	1,38
External surface	m²	5,17	6,6	9,94	13,2	14,9	19,9	19,9
Coil connections	In tube (mm)	12	12	12	12	12	12	12
	Out tube (mm)	12	12	12	12	12	12	12
Net weight	kg	13	15	22	25	31	34	39

Model	CGC	251 E8R	251 E8	252 G8	252 E8	253 G8	253 E8	254 G8
Nominal capacity	kW	1,0	1,2	1,9	2,4	2,8	3,6	3,7
Air flow	m³/h	800	840	1725	1690	2585	2530	3450
Air throw	m	8	8	9	8	11	10	13
Air throw with streamers	m	-	-	-	-	-	-	-
Fin spacing	mm	8	8	8	8	8	8	8
Internal surface	m²	0,36	0,46	0,69	0,92	1,03	1,38	1,38
External surface	m²	3,97	5,1	7,66	10,2	11,5	15,3	15,3
Coil connections	In tube (mm)	12	12	12	12	12	12	12
	Out tube (mm)	12	12	12	12	12	12	12
Net weight	kg	13	15	22	25	31	34	39

Common data								
Fan motors	n° x Ø mm	1x250	1x250	2x250	2x250	3x250	3x250	4x250
Fan motors absorption	A	0,68	0,68	1,36	1,36	2,04	2,04	2,72
Nominal power	W	95	95	190	190	285	285	380
Fan motors absorption EC	A	0,19	0,19	0,38	0,38	0,57	0,57	0,76
Nominal power EC	W	26	26	52	52	78	78	104
Circuit capacity	dm³	0,93	1,07	1,6	2,14	2,41	3,21	3,2
Electrical defrost	W	750	1350	2700	2700	3990	3990	5250
Powerful electrical defrost	W	-	-	-	-	-	-	-
Drain connection	Ø (GAS)	1"	1"	1"	1"	1"	1"	1"

- Tutti gli aerorefrigeratori sono selezionabili con il programma "Scelte".

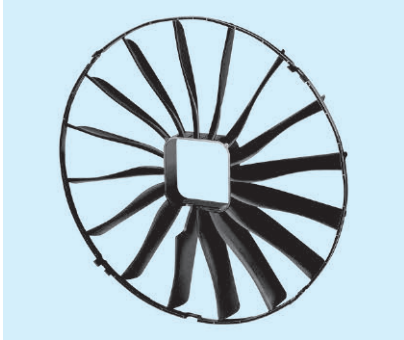
254 E4	311 F4	312 F4	313 F4	314 F4	351 E4	351 A4	352 E4	352 A4	353 F4	353 A4	354 F4	354 A4	355 A4
7,4	3,5	7,1	10,6	14,2	4,5	5,5	9,0	10,9	15,7	16,7	21	21,8	27,2
3070	1500	3000	4495	6000	2425	2235	4850	4472	7050	6710	9400	8950	11180
12	11	14	16	18	14	13	16	15	18	17	20	19	21
-	18	22	22	23	20	18	23	22	26	25	29	28	29
4	4	4	4	4	4	4	4	4	4	4	4	4	4
1,84	0,78	1,56	2,34	3,12	0,75	1,12	1,5	2,24	2,81	3,37	3,74	4,49	5,61
38,8	16,5	33	49,5	66	15,25	22,9	30,5	45,8	59,5	68,7	79,2	91,6	114,5
12	12	12	12	12	12	12	12	12	12	12	12	16	16
12	12	12	12	16	12	12	12	12	16	16	16	22	22
46	22	37	52	67	24	29	45	53	64	69	85	92	113

254 E6	311 F6	312 F6	313 F6	314 F6	351 E6	351 A6	352 E6	352 A6	353 F6	353 A6	354 F6	354 A6	355 A6
5,4	2,7	5,3	8,2	10,7	3,3	4,2	6,6	8,5	11,6	12,8	15,3	17,0	21,5
3250	1595	3190	4970	6390	2580	2430	5160	4850	7510	7280	9860	9705	12130
13	12	15	17	19	15	14	17	16	19	18	21	20	22
-	19	23	23	24	21	19	24	23	27	26	30	29	30
6	6	6	6	6	6	6	6	6	6	6	6	6	6
1,84	0,78	1,56	2,34	3,12	0,75	1,12	1,5	2,24	2,81	3,37	3,74	4,49	5,61
26,5	11,3	22,6	33,9	45,2	10,9	15,8	21,7	31,5	40,6	47,3	54,2	63	78,8
12	12	12	12	12	12	12	12	12	12	12	12	16	16
12	12	12	12	16	12	12	12	12	16	16	16	22	22
43	21	36	50	64	23	28	43	51	61	67	81	89	107

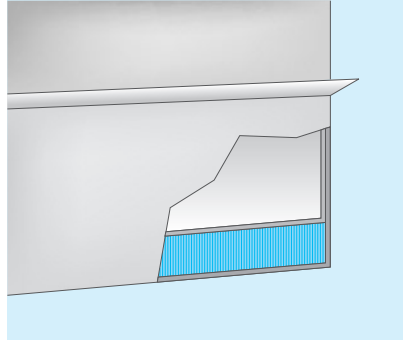
254 E8	311 F8	312 F8	313 F8	314 F8	351 E8	351 A8	352 E8	352 A8	353 F8	353 A8	354 F8	354 A8	355 A8
4,8	2,4	4,7	6,8	9,3	2,8	3,8	5,7	7,6	10	11,4	13,4	15,0	18,8
3370	1650	3290	4950	6580	2640	2500	5270	5000	7740	7510	10315	10000	12500
12	11	14	16	18	14	13	16	15	18	17	20	19	21
-	-	22	22	23	20	18	23	22	26	25	29	28	29
8	8	8	8	8	8	8	8	8	8	8	8	8	8
1,84	0,78	1,56	2,34	3,12	0,75	1,12	1,5	2,24	2,81	3,37	3,74	4,49	5,61
26,01	8,65	17,3	26	34,6	8,3	12,5	16,6	25	31,2	37,5	41,7	50	62,5
12	12	12	12	12	12	12	12	12	12	12	12	16	16
12	12	12	16	22	12	12	12	16	22	22	22	22	22
43	21	36	50	64	23	28	43	51	61	67	83	90	108

4x250	1x315	2x315	3x315	4x315	1x350	1x350	2x350	2x350	3x350	3x350	4x350	4x350	5x350
2,72	0,52	1,04	1,56	2,08	0,96	0,96	1,92	1,92	2,88	2,88	3,84	3,84	4,80
380	110	220	330	440	185	185	370	370	555	555	740	740	925
0,76	-	-	-	-	0,87	0,87	1,74	1,74	2,61	2,61	3,48	3,48	4,35
104	-	-	-	-	150	150	300	300	450	450	600	600	750
4,28	1,83	3,66	5,49	7,32	1,76	2,64	3,52	5,28	6,49	7,92	8,64	10,56	13,2
5250	1750	3150	4900	6300	1750	2250	3150	4050	4900	6300	6300	8100	9900
-	-	-	-	-	2000	2750	3600	4950	5600	7700	7200	9900	12100
1"	1"	1"	1"	1"	1"	1"	1"	1"	1"	1"	1"	1"	1"

## Options and special versions



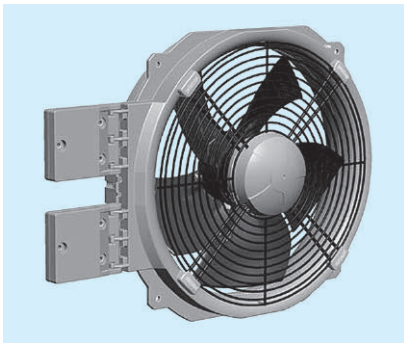
- Streamers



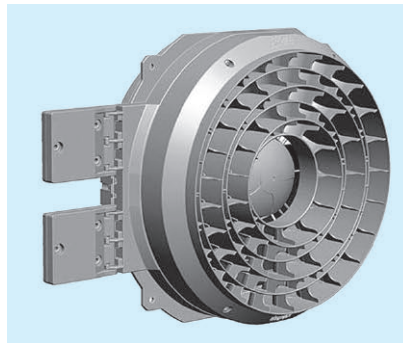
- Drain pan with insulation



- EC motor (electronically commutated)



- Electronically commutated (AxiCool) fan motors equipped with hinged access and fan guard (ECG) – only for Ø 350 mm fan motors



- Electronically commutated (AxiCool) fan motors equipped with hinged access and streamers (ECS) – only for Ø 350 mm fan motors