

Name	LLHA01 SERIES
Item NO	SHF168-AL-50WH, SHF168-AL-60WH, SHF168-AL-75WH, SHF168-AL-80WH, SHF168-AL-90WH, SHF168-AL-95WH, SHF168-AL-100WH, SHF168-AL-120WH, SHF168-AL-150WH, SHF168-AL-200WH

PHOTO:



Product introduction:

To LED as the light source of the lighting, the product selection of resistance to acid and alkali; weather resistance and high transmittance optical glass mask, with high thermal conductivity magnesium Gold cooling system, with no pollution, no pollution, low power consumption, high luminous efficiency, IP65 waterproof, moisture resistance, dust resistance, suitable for a more severe environment For, long life and so on.

Features:

- A. light body is lightweight, it is installed on the upper air.
- B. uses high thermal conductivity magnesium alloy material, perforated type convection design, improve used time.
- C. suitable for high humidity, high and low temperature outdoor environment.
- D. impact resistance, strong earthquake resistance, no ultraviolet and infrared radiation;
- E. energy saving is significant, compared with the traditional lamp can be more than 70% under the same illumination

Place of application

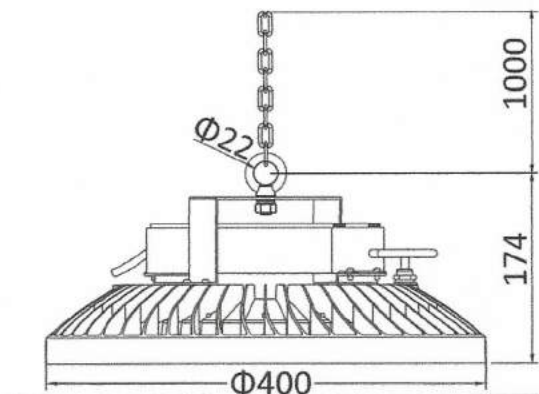
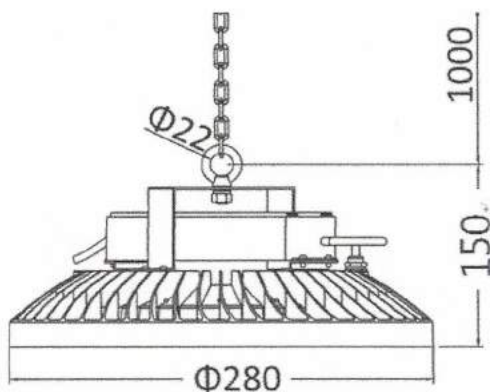
Workshop, stations, toll stations, large warehouses, workshops and other high - and - shed places

DATA			
PAGE	2/5	VERSION	A1

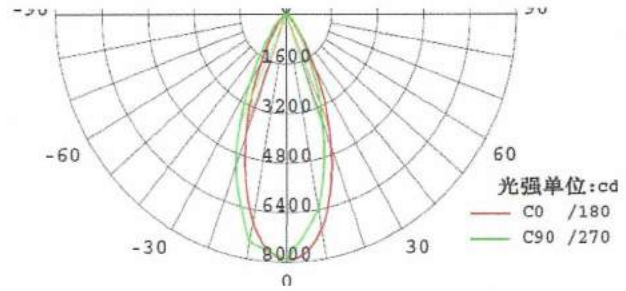
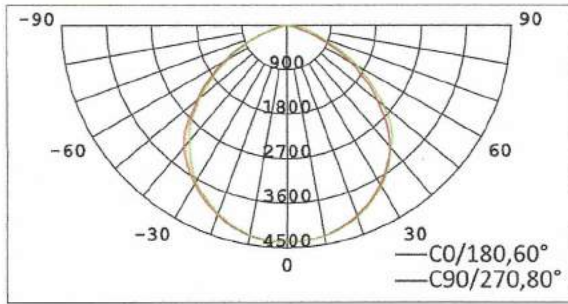
1、 Technical parameters (test condition is 25 degree):

Color Temp & Lumen (lm)	4000-6500K											
	4500lm	5400lm	7100lm	7600lm	8550lm	9000lm	9500lm	7600lm	9500lm	11400lm	14250lm	19000lm
Light effect	4000K/6500K@94lm (lm/W)											
Wattage (W)	50W	60W	75W	80W	90W	95W	100W	80W	100W	120W	150W	200W
Voltage (V)	AC170-264V 50/60Hz						AC100-240V 50/60Hz					
RA CRI	TYP 70											
Degree (°)	60°			110°								
Driver	In											
Working temp(°C)	-30°C~50°C											
Working Humidity	10%-90%											
Lifetime (H)	50000											
IP	IP											
Material	Die casting magnesium alloy + toughened glass											
N.W (kg)	2.3			2.8				4.6		5		
Size (mm)	Φ200						Φ400					

2、 Products size (mm) :



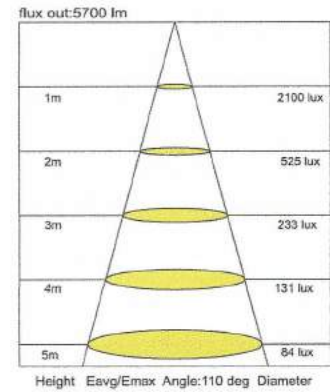
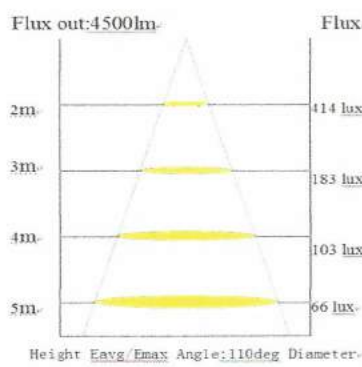
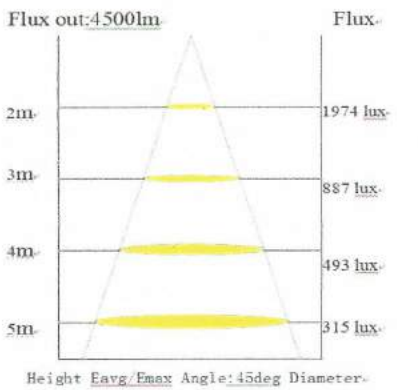
3. Distribution diagram :



SHF168-AL-50WH 45 degree

SHF168-AL-50WH 110 degree

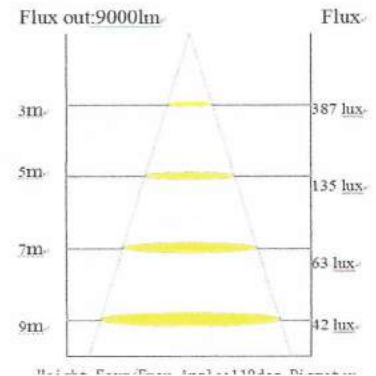
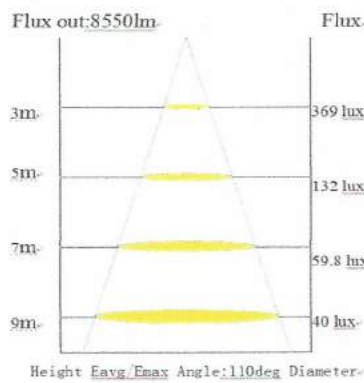
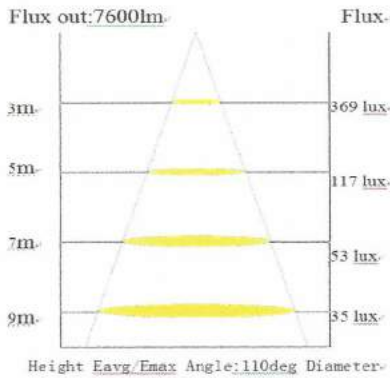
SHF168-AL-60WH 110 degree



SHF168-AL-80WH 110 degree

SHF168-AL-90WH 110 degree

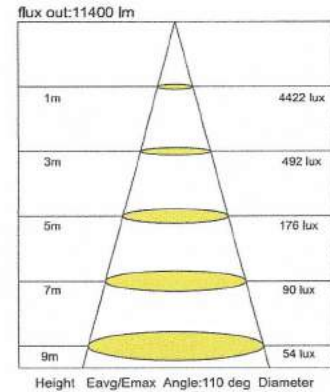
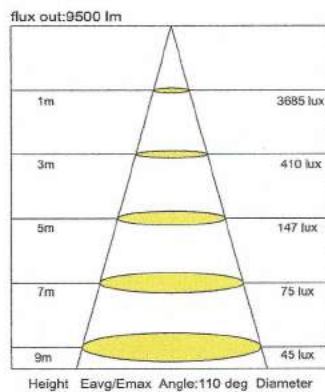
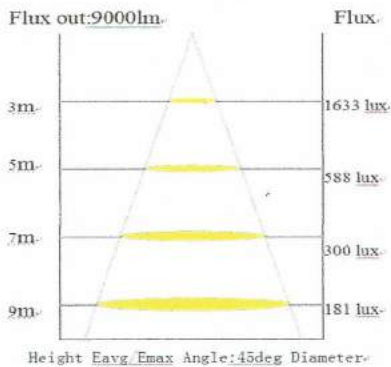
SHF168-AL-95WH 110 degree



SHF168-AL-95WH 45 degree

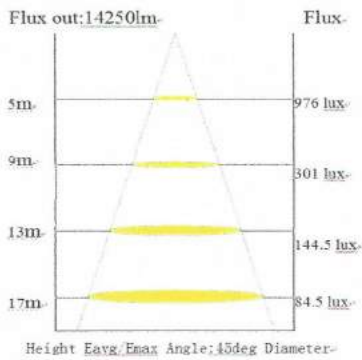
SHF168-AL-100WH 110 degree

SJF168-AL-120WH 110 degree

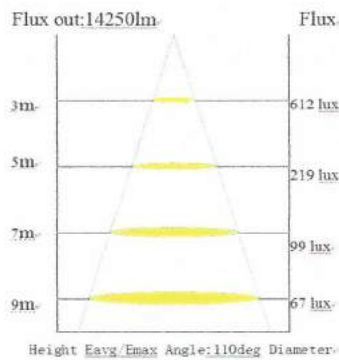


DATA			
PAGE	4/5	VERSION	A1

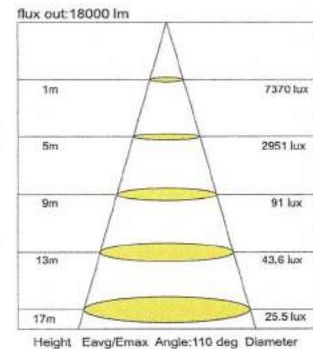
SHF168-AL-150WH 45 degree



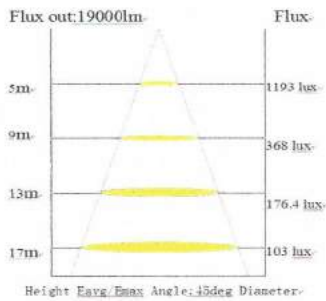
SHF168-AL-150 110 degree



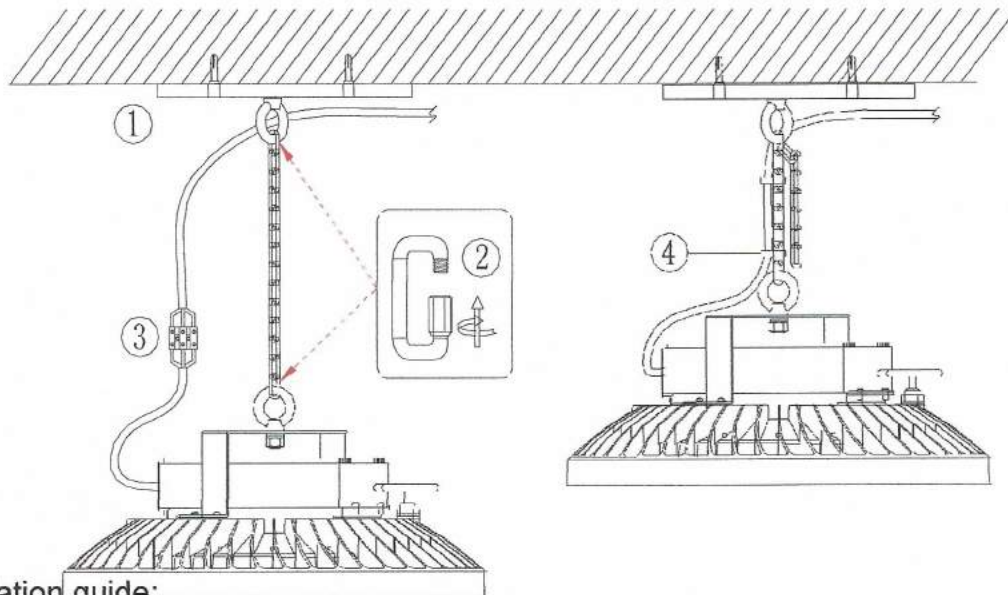
SHF168-AL-200WH 110 degree



SHF168-AL-200WH



5. Installation diagram:

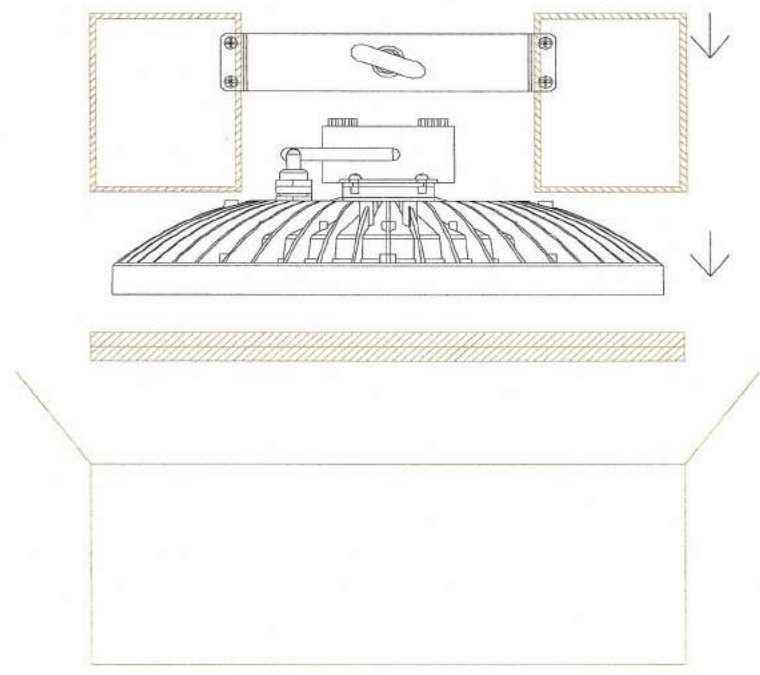


Installation guide:

1. First of all, in the specified location installation hook (diameter 3-10mm) users with, at least we can lift more than 20kg of goods will not fall off, see Step 1
- 2 chain ends each have an activity of the hanging buckle, the product suspension to hook up, and can adjust the level of role, see Figure 2
3. Terminal units will be arranged good city electric power line and product according to the brown line (L) in the line of fire, the blue line (n) zero line ", " yellow earth "corresponding to the connection, if the product
Installed in the outdoor, in the wiring terminal and waterproof junction box to ensure that the waterproof function to achieve more than IP66, see Figure 3
- 4 with a tie line power line or other classes will be fixed in the chain, with the power to lighting, see Step 4

DATA			
PAGE	5/5	VERSION	A1

6、PACKING PHOTO:



PACKING DETAIL:

PACKING	Item NO NAME	SHF168-AL-50WH SHF168-AL-60WH	SHF168-AL-75WH SHF168-AL-80WH SHF168-AL-90WH SHF168-AL-95WH	SHF168-AL- 100WH	SHF168-AL-120WH SHF168-AL-150WH	SHF168-AL-200WH
		Box packing	Inner box (mm) / (PCS)	315*315*130		
1				/		
Outer box (mm) / (PCS)	650*330*285			445*445*160		
	4			1		
N.W (KG) /Carton	9.2		11.2	11.2	4.6	5
G.W (KG) /Carton	10.7	12.7	12.7	5.4	5.8	