

Alco Controls

Pressure Switch PS4




Technical Bulletin

PS4 Pressure Switch with fixed settings for various applications.

Features

- High- and low pressure switches
- Precise settings and repeatability
- Cable version with IP67 (IP20 for terminal version)
- Normally open/closed electrical contacts (under standard operating conditions)
- TUV approved versions
- Compatible with RoHS directive
- Minimum lot size 100 pieces
- Other settings are not available

Standards

-  acc. Pressure Equipment Directive 97/23/EC
-  Underwriter Laboratories file nr. E258370
-  EN 60730-1, EN 60730-2-6, EN 60335-1



PS4

Low Pressure Switches With Automatic Reset; Open On Falling Pressure

Type	PCN	Setting (bar)		Connector (QC) Cable (m)	Test Pressure	EN 12263	Contact function	Application	Pressure connection	
		Cut-out	Cut-in							
PS4-W1	808269	0,3	1,5	3,0	25 bar	PSL	open on falling pressure	low pressure	6mm	
PS4-A3	808257	0,4	1,2	QC		none			7/16-20UNF Female *	
PS4-A1	808266	0,4	1,4	1,5		1/4"				
PS4-A1	808245	0,5	1,5	1,5		7/16-20UNF*				
PS4-W1	808208	0,6	1,8	1,5		6mm				
PS4-W3	808235	0,6	1,8	QC		7/16-20UNF Female with Schrader				
PS4-W1	808251	0,6	1,8	3,0		6mm				
PS4-W1	808209	0,7	2,1	1,5		PSL			7/16-20UNF Female with Schrader	
PS4-A1	808239	0,7	1,7	1,5		none			6mm	
PS4-W1	808241	0,7	2,4	3,0		PSL			1/4"	
PS4-W1	808258	0,7	2,1	1,5		none			7/16-20UNF Female with Schrader	
PS4-A1	808259	0,7	2	1,5		6mm				
PS4-A1	808247	1,5	2,5	2,5		PSL			7/16-20UNF Female with Schrader	
PS4-A3	808252	1,5	2,5	QC		6mm				
PS4-W1	808210	1,7	3,4	1,5		none			7/16-20UNF Female with Schrader	
PS4-W1	808249	1,7	3,4	1,5		PSL			6mm	
PS4-W1	808271	1,8	3,2	1,5		none			7/16-20UNF Female with Schrader	
PS4-A1	808276	3,3	4,8	1,5		50/90 psig				
PS4-A1	808278			1,5		3,8			5,9	QC
PS4-A3	808223			QC						

* 7/16-20UNF female with Schrader valve opener

Pressure Switch PS4

High Pressure Switches With Automatic Reset; Open On Rising Pressure

Type	PCN	Setting (bar)		Connector (QC) Cable (m)	Test Pressure	EN 12263	Contact function	Application	Pressure connection
		Cut-in	Cut-out						
PS4-W1	808200	13	18	1,5	41 bar	PSH	open on rising pressure	high pressure	7/16-20UNF*
PS4-W1	808265	13	18	3,0					6mm
PS4-W1	808201	20	26	1,5					7/16-20UNF*
PS4-W1	808224	20	26	3,0		6mm			
PS4-W3	808236	20	26	QC		7/16-20UNF*			
PS4-W3	808250	20	26	QC		6mm			
PS4-A1	808260	20	26	1,5		1/4"			
PS4-W1	808203	21	28	1,5		7/16-20UNF*			
PS4-A1	808233	21	28	1,5		7/16-20UNF*			
PS4-A1	808244	21	28	1,5	1/4"				
PS4-W3	808273	22,8	29	QC	55 bar	PSH	open on rising pressure	high pressure	7/16-20UNF Female with Schrader opener
PS4-A1	808237	22,5	29,5	1,5		none			
PS4-A1	808246	24	30	2,5		PSH			
PS4-W1	808214	24	31	1,5		none			
PS4-A1	808238	24	31	1,5		none			
PS4-A3	808253	21	31	QC		none			
PS4-A1	808248	24	32	2,5		PSH			
PS4-A3	808222	33,4	41,7	QC		none			
PS4-W1	808205	33	42	1,5		PSH			
PS4-W3	808242	33	42	QC	69 bar	none	open on rising pressure	high pressure	7/16-20UNF Female with Schrader opener
PS4-A1	808277	500/650 psig		1,5		PSH			
PS4-W1	808261	35	45	1,5		none			
PS4-A1	808275	34	48	1,5		6mm			
									7/16-20UNF*

* 7/16-20UNF female with Schrader valve opener

High Pressure Switches With Automatic Reset; Close On Rising Pressure

Type	PCN	Setting (bar)		Cable (m)	Test Pressure	EN 12263	Contact function	Application	Pressure connection	
		Cut-out	Cut-in							
PS4-A2	808212	13	18	1,5	55 bar	PSH	close on rising pressure	fan control	7/16-20UNF Female with Schrader opener	
PS4-W2	808274	14,6	20	1,5						none
PS4-A2	808263	16	21,3	1,5						PSH
PS4-A2	808264	17	22,6	1,5		none				
PS4-A2	808213	18	24	1,5		PSH				
PS4-W2	808227	22	28	1,5		PSH				

High Pressure Switches With Manual Reset; Open On Rising Pressure

Type	PCN	Setting (bar)		Cable (m)	Test Pressure	EN 12263	Contact function	Application	Pressure connection
		Cut-out	Cut-in						
PS4-BL	808202	26	-	1,5	41 bar	PZH	open on rising pressure	high pressure EN 378	7/16-20UNF Female with Schrader opener
PS4-BL	808204	28	-	1,5	55 bar				
PS4-BL	808206	42	-	1,5	69 bar				

Pressure Switch PS4

Technical Data

Type	PS4-A	PS4-W	PS4-BL
Electrical Data			
Inductive Load 230 VAC	0.1 – 6A		0.1 – 6A
Inductive Load (DC <28V)	2A		2A
Motor rating FLA 230 VAC	6A		6A
Motor rating LRA 230 VAC	36A		36A
Gold plated contacts (option)	25-100mA		25-100mA
Electrical Connection	Cable or Terminal (QC) Version		Cable Version
Life time	> 100.000 cycles		
Settings and Tolerances	see selection program		
Protection class IEC 529 / DIN 40050	IP67 (IP20 for Terminal Version)		
Vibration resistance (10 ... 250 Hz)	4 g		
Temperature range: Medium	-50 °C ... 135 °C		
Ambient	-30 °C ... 80 °C (UL version 65 °C)		
Compatibility *	HCFC, HFC, CO ₂ , Mineral-, Synthetic-, POE-Lubricants		
Cable Version	18 AWG 0,8 mm ² , 600 V (max. 125 °C)		
Cable Colour	LP: (0-8,5 bar: blue) HP: (>8,5 bar: black)		
Weight	approx. 100g		

*) PS4-Pressure Switch are not released for flammable refrigerants

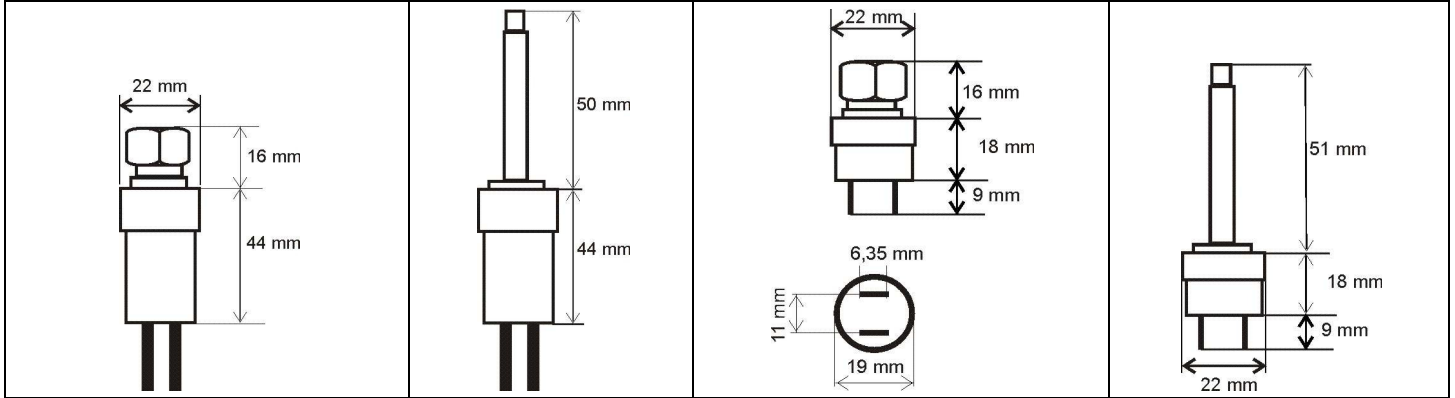
Pressure Switch PS4

Dimensions

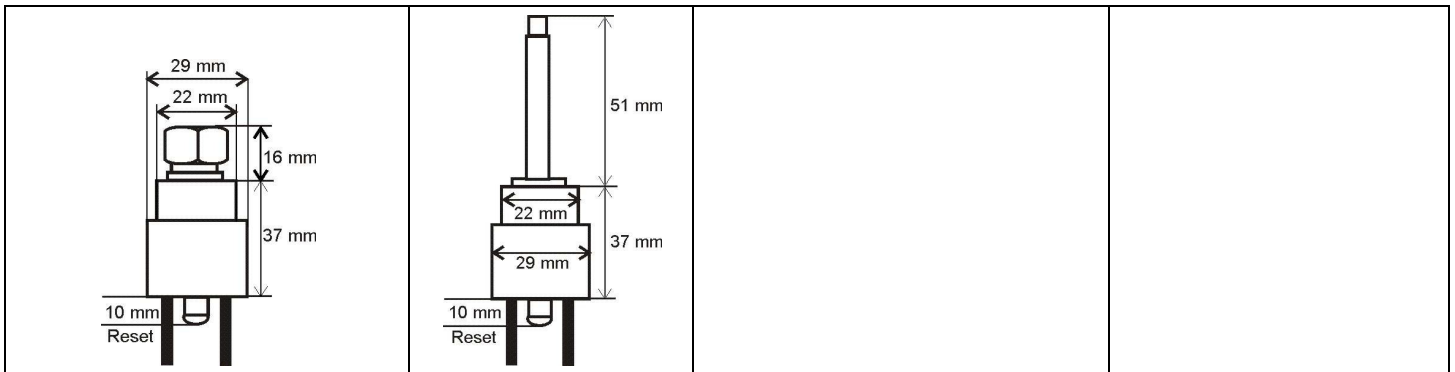
Pressure Connection 7/16-20 UNF	Braze 6mm, 1/4"	Pressure Connection 7/16-20 UNF	Braze 6mm, 1/4"
--	------------------------	--	------------------------

PS4-A and PS4-W cable version

PS4-A and PS4-W terminal version



PS4-B cable version



03.09.2013 - Pressure Switch PS4

Emerson Climate Technologies GmbH shall not be liable for errors in the stated capacities, dimensions, etc., as well as typographic errors. Products, specifications, designs and technical data contained in this document are subject to modification by us without prior notice. Illustrations are not binding.
The Emerson Climate Technologies logo is a trademark and service mark of Emerson Electric Co. Emerson Climate Technologies Inc. is a subsidiary of Emerson Electric Co.